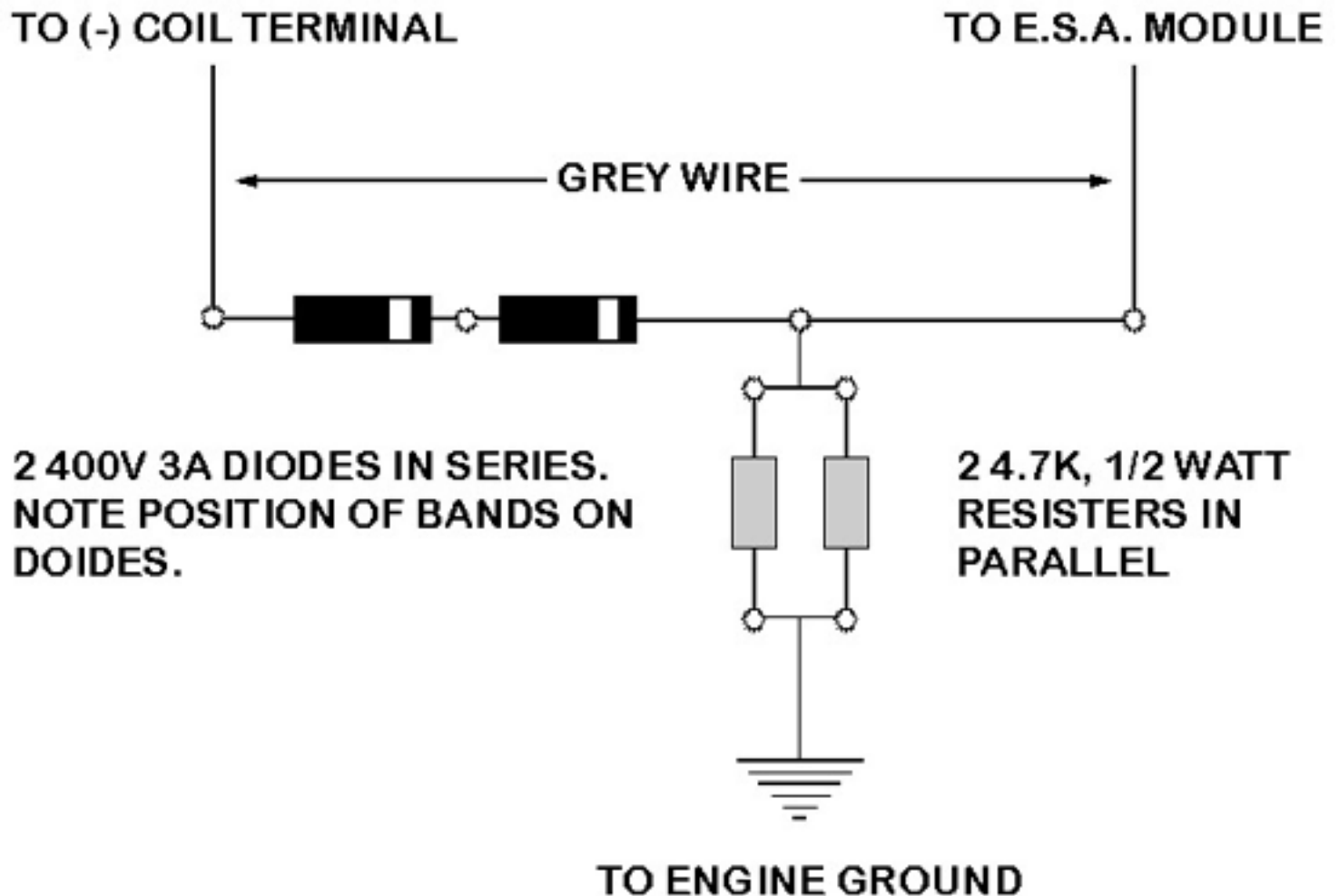


O.M.C. SHIFT ASSIST FIX



⊗ NOTE: ALL WIRES SHOULD BE SOLDERED AND RE-INSULATED AT THESE POINTS. DIODES AND RESISTORS CAN BE FOUND AT RADIOSHACK. USE DIODE PART # 276-1144, AND RESISTORS PART #271-1124